



TEGERNSEERHOF

WEINGUT MITTELBACH · WACHAU - AUSTRIA

THE NAME IS FROM GERMANY (BAVARIA), THE WINE FROM WACHAU

The historical roots of Tegernseerhof go back over 1000 years. Holy Roman Emperor Henry II granted the Benedictine monastery of Tegernsee two oxgangs of land in Wachau. In 1176, Tegernseerhof was built and named after its owner.

Today, Tegernseerhof is owned by the Mittelbach family. The winery has been in their possession for five generations. The name has been preserved, like the ancient knowledge of viticulture, passed on from one generation to the next. The Tegernseerhof vineyards are located on the best slopes of the Wachau region. They are characterized by steep terraces of primary rock, with optimal exposure to sun and wind.

2015 GRÜNER VELTLINER T26 FEDERSPIEL®

CHARACTERISTICS:

The flat lands of the vineyards in Loiben are characterized by very deep sandy soils. This very warm and light soil has low water holding capacity. Through this ever moderate stress situation the roots are encouraged to penetrate into the deepest layers of soil to ensure the water supply of the plant - the age of our 50-year-old vines guarantee this optimum root growth and maturity of the wood.

Sandy and gravel soils form a classic, fruity Grüner Veltliner. The reserve substances stored in the old wood are reflected in the subtle minerality of the wine - different weather conditions are responsible for fine and elegant fruit flavors.



MY NOTES:



Our Estate is a member of the Vinea Wachau, therefore the vinification follows the strict regulations of the "Codex Wachau".

DETAILS:

Alcohol: 12,5 % Vol.
Residual sugar: 2,1 g/l
Acid: 5,2 g/l
Bottle size: 0,75 l



WEINGUT TEGERNSEERHOF · FAMILIE MITTELBACH
Unterloiben 12 · 3601 Dürnstein/Wachau · Austria
T +43 (0) 2732 / 853 62 · F +43 (0) 2732 / 853 62-20
office@tegernseerhof.at · www.tegernseerhof.at





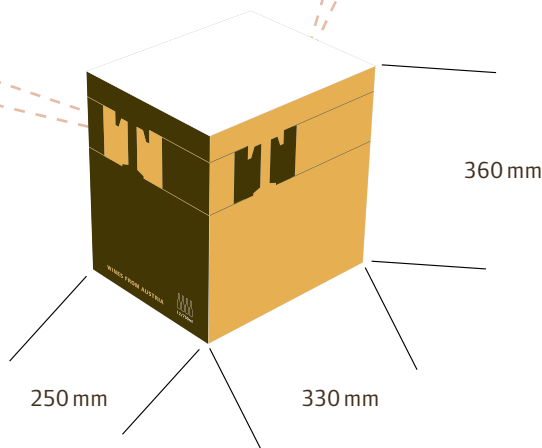
TEGERNSEERHOF

WEINGUT MITTELBACH · WACHAU - AUSTRIA

2015 GRÜNER VELTLINER
T26 FEDERSPIEL®

TECHNICAL DETAILS:

bottles/case	12
cases/layer	14
layer/pallet	5
l/w/h pallet (US)	1200/1000/1900
EAN bottle	9120021053821
EAN case	9120021053845
UPC	787263315064



WEINGUT TEGERNSEERHOF · FAMILIE MITTELBACH
Unterloiben 12 · 3601 Dürnstein/Wachau · Austria
T +43 (0) 2732 / 853 62 · F +43 (0) 2732 / 853 62-20
office@tegernseerhof.at · www.tegernseerhof.at

